

FSP-D40

Solar DC Surge Protective Device (DC SPD)



Application

Surge protective device, protect against lightning surge voltages in solar system (photovoltaic power supply system).

These units must be installed in parallel on the dc networks to be protected and provide common and different modes protection. Its installed location are recommended at both ends of the dc power supply line (solar panel side and inverter/converter side), especially if the line routing is external and long.

High energy MOVs equipped with specific thermal disconnectors and related failure indicators.

Specifications

FSP-D40 Surge protector	FSP-D40	
PVDC - specific (IEC66143-1 /EN61643 -11)		
Pole	2P	3P
Electrical parameter		
Classified test	II	II
Uoc max (VDC)	600	1000
Uc (VDC)	600	1000
In (8 /20)us (kA)	20	20
Ima x (8 /20)us (kA)	40	40
Up (kV)	2.0	3.8

Remotesignal Contact

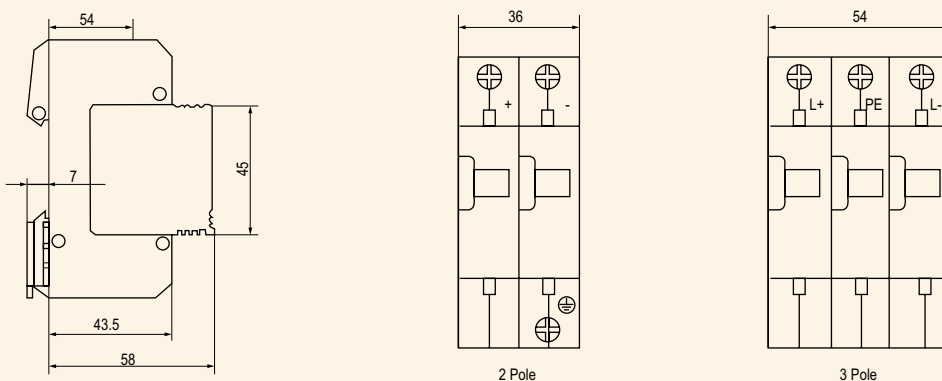
Remote signal contact	Maximum working voltage (V)	250VAC/30VDC	250VAC /30VDC
	Maximum working current (A) IA (250 V /AC)	IA (250V/AC)	IA (250V /AC)
	IA (30 V DC)	IA (30V/AC)	IA (30V /AC)

Installation and Dimensions

Wiring capacity(mm ²)	Hard wire	4~25	4~25
	Flexible wire	4~16	4~16
Stripping length(mm)		10	10
Terminals crcwa		M5	M5
Torque (Nm)	Main circuit	3.5	3.5
	Remote signal contact	0.25	0.25
Protection class	All profile	IP40	IP40
	Connection port	IP20	IP20
Installation environment		No obvious shock and vibration	
Altitude (m)		≤2000	≤2000
Working Temperature		-30℃ ~ +70℃	-30℃ ~ +70℃
Relative humidity		30%~90 %	30%~90 %
How to install		Installed with H 35-7.5/DIN35 steel mounting rail	
Size (mm) (W x H x L)	W	36	54
	H	90	90
	L	67.6	67.6
Weight (kg)		0.24	0.36

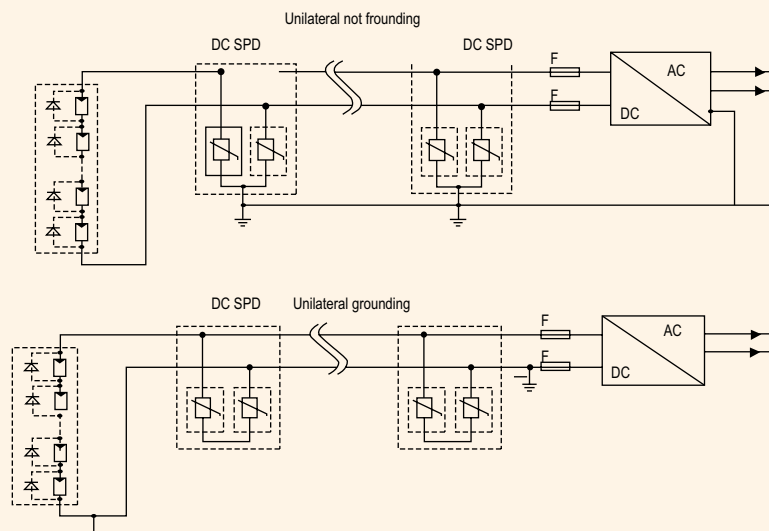
SOLAR DC SURGE PROTECTIVE DEVICE (DC SPD)

Dimensions



Operating Principle(PV System)

2 Pole



3 Pole

